

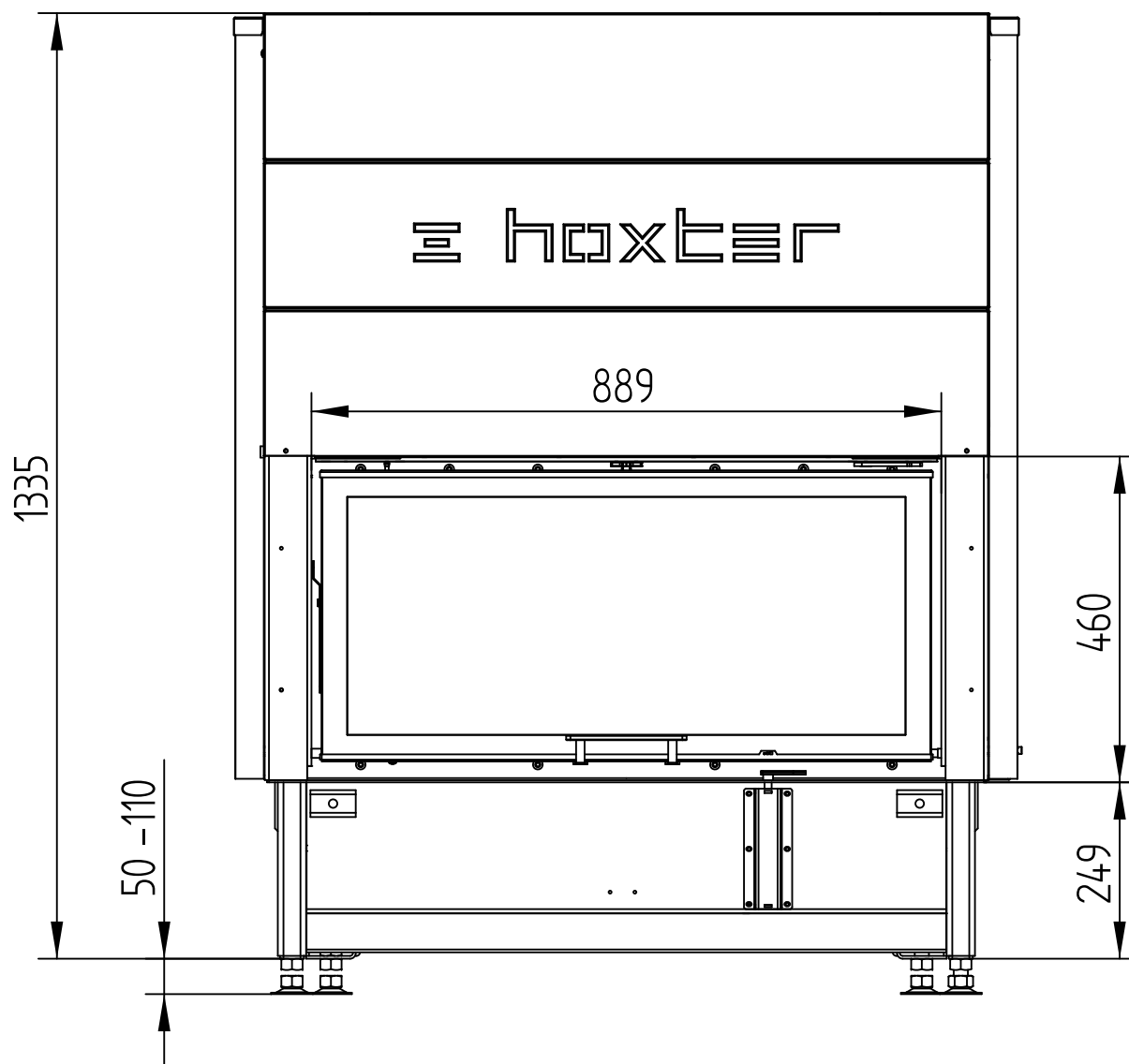
OPERATION WHEN DIRECTLY CONNECTED TO CHIMNEY	
Tested according to	EN 13229
Nominal heat power	12 kW
Efficiency	> 80 %
Consumption of wood	3,6 kg/h
Mass flow of flue gas	10 g/s
<b>Average flue gas temperature</b> on the output	334 °C
<b>Heat distribution</b>	
fireplace insert	62–81 %
door glass (single / double)	38 / 19 %
Required chimney pressure	12 Pa
Required amount of combustion air	40 m <sup>3</sup> /h
Minimum supply air grating cross-section	1 200 cm <sup>2</sup>
Minimum outgoing air grating cross-section	1 400 cm <sup>2</sup>

OPERATION WITH CONNECTED ACCUMULATION MASS	
Load of wood	5,5 kg
Total heat output of the burning chamber	22 kW
Mass flow of flue gas	20 g/s
<b>Average flue gas temperature</b> on the output <sup>1)</sup> past 3,4 m of ceramic accumulation system KMS 300 <sup>2)</sup>	396 °C 190 °C
<b>Heat distribution</b>	
fireplace insert	45 %
door glass (single / double)	38 / 19 %
adjoining accumulation mass	17–36 %
Required chimney pressure	12 Pa
Required amount of combustion air	60 m <sup>3</sup> /h

GENERAL TECHNICAL INFORMATION	
Combustion air connection	Ø 125 mm
Total weight / lining weight	ca. 290 / 104 kg
Use in non-ventilated accumulation builds according to craft rules	suitable
Meets values	BlmSchV (Stufe2), 15a BVG

1) The Hoxter products are available in the Austrian stove-calculation program for evaluation of firebrick accumulation systems.

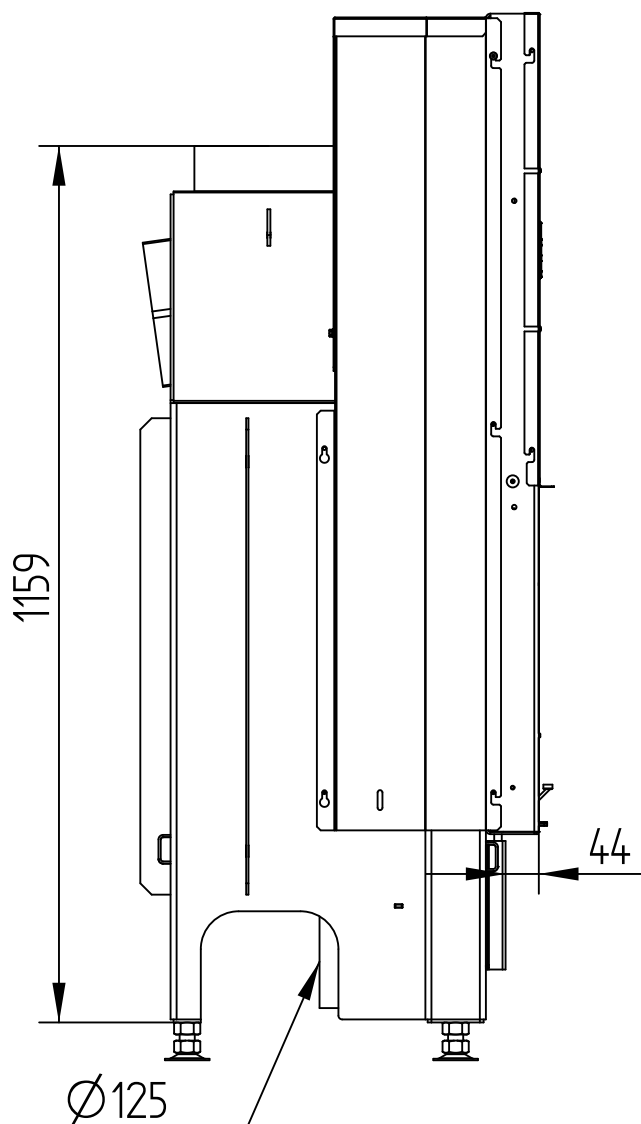
2) Only a sample calculation! For accurate results is evaluation of each system in the KMS-calculation program from the Ortner company necessary.

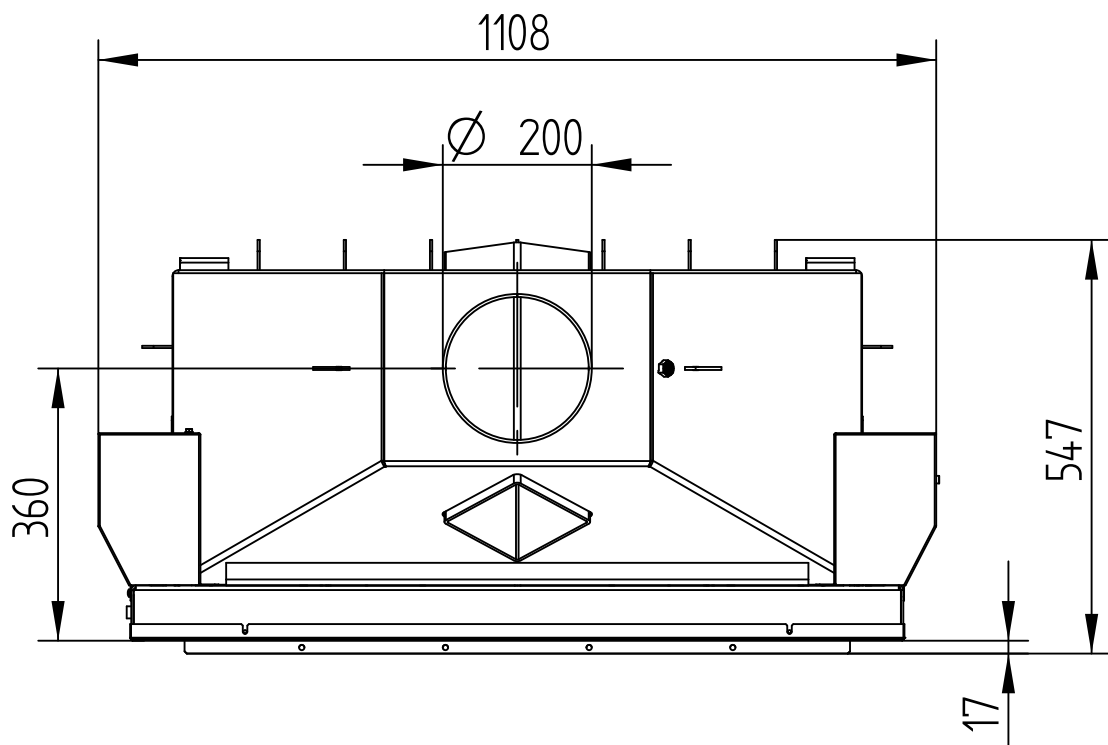


# HAKA 89/45h

Technical data  
Version 11/2014

M 1 : 10



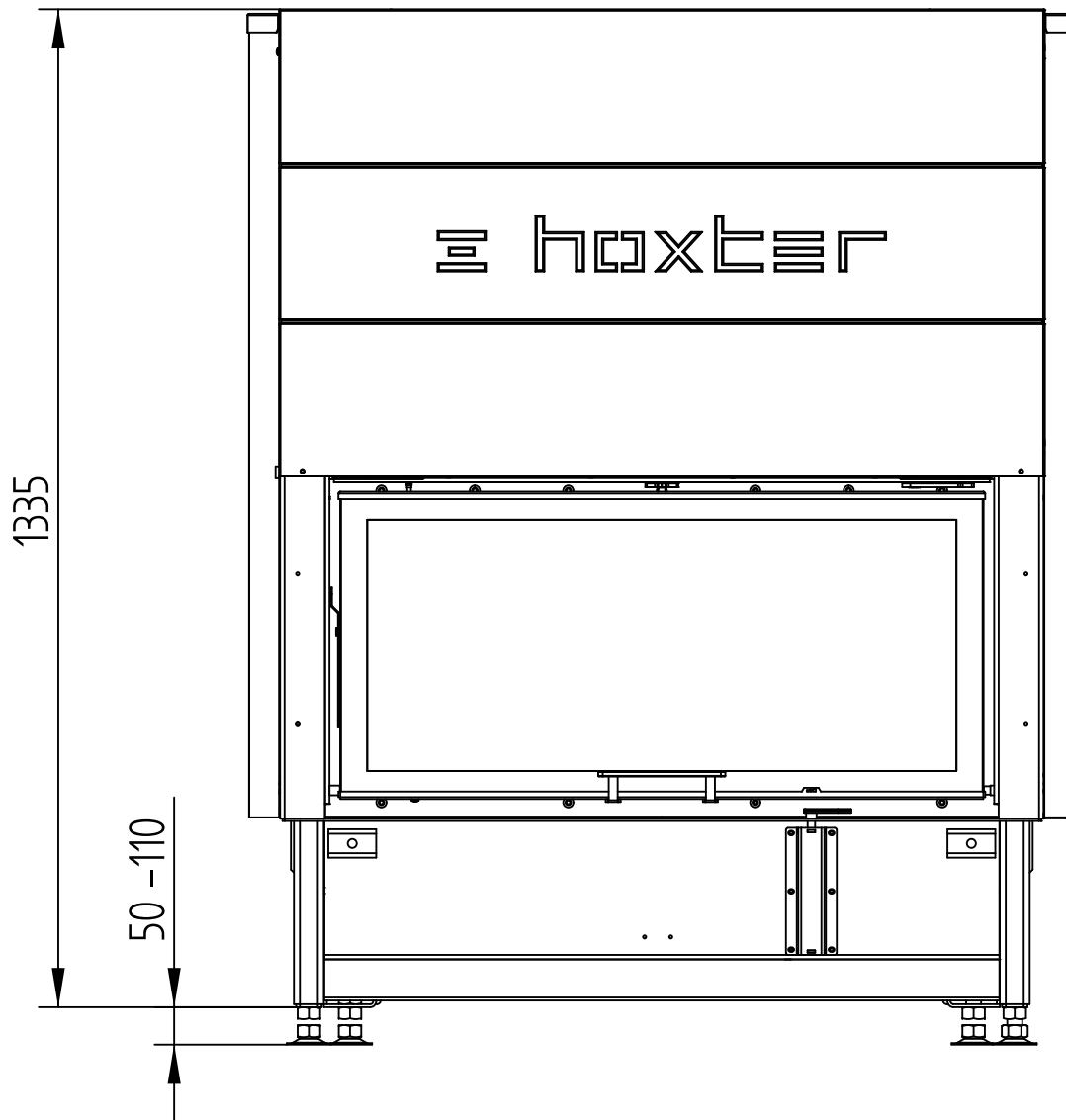


# HAKA 89/45h

HOT AIR JACKET

Technical data  
Version 11/2014

M 1 : 10

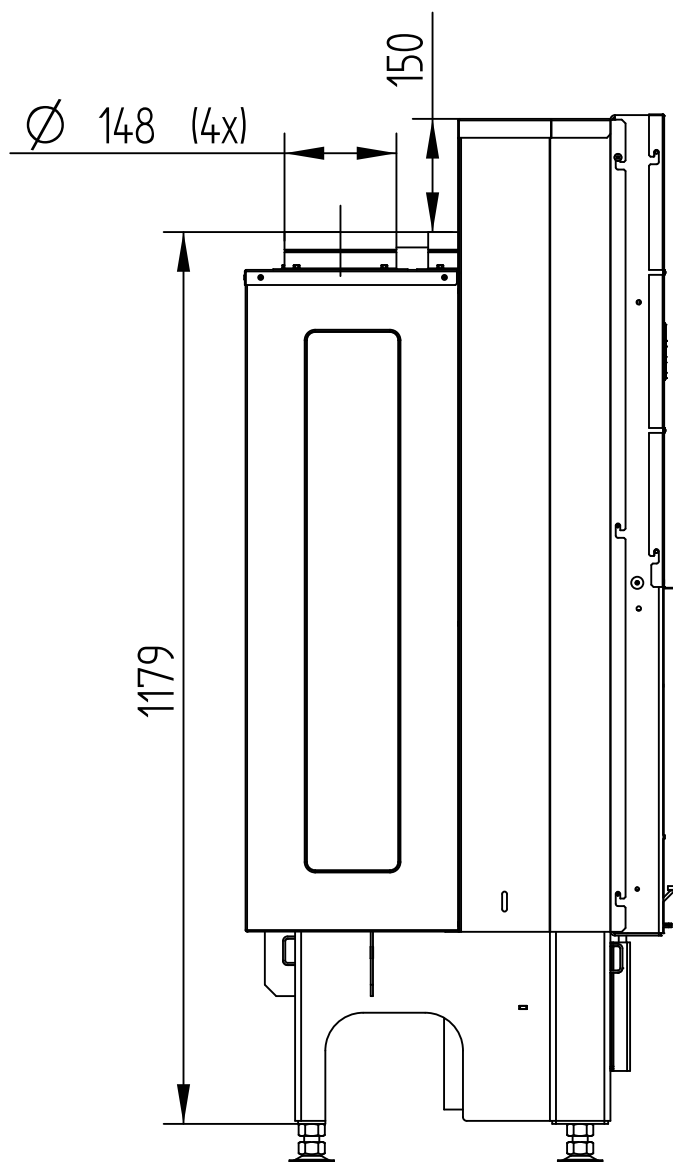


# HAKA 89/45h

HOT AIR JACKET

Technical data  
Version 11/2014

M 1 : 10

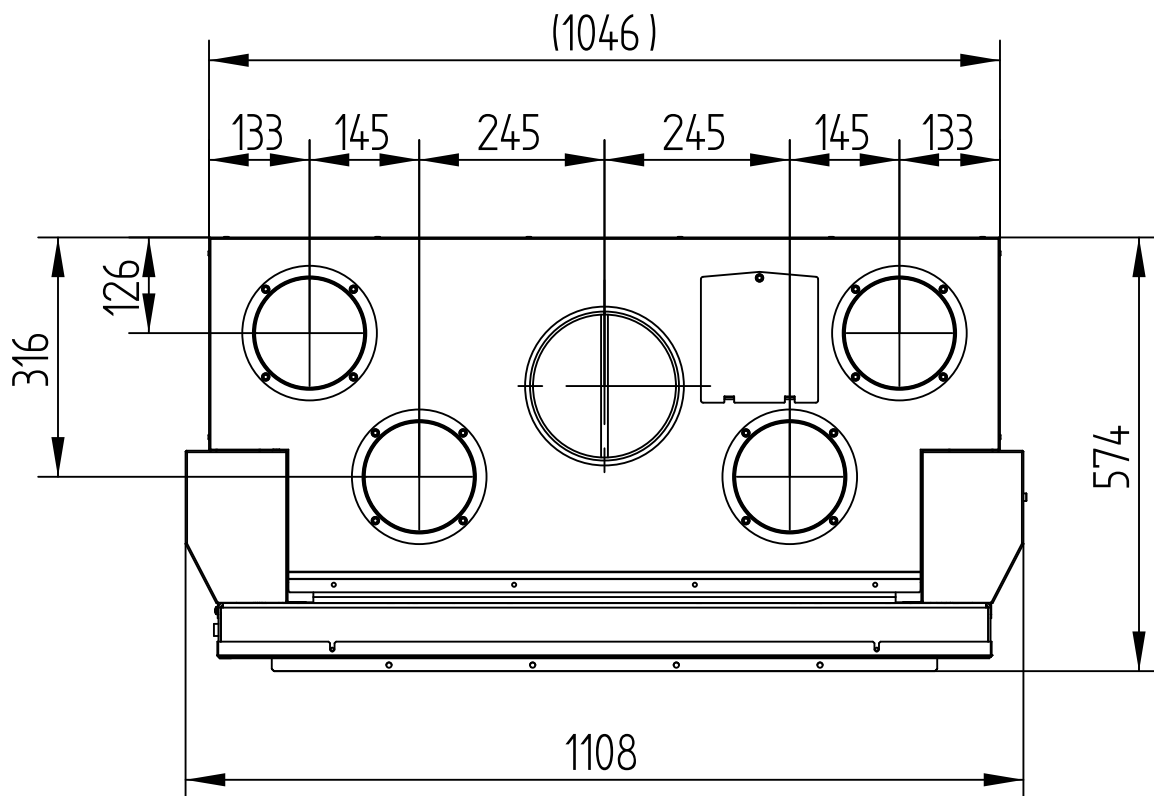


# HAKA 89/45h

HOT AIR JACKET

Technical data  
Version 11/2014

M 1 : 10

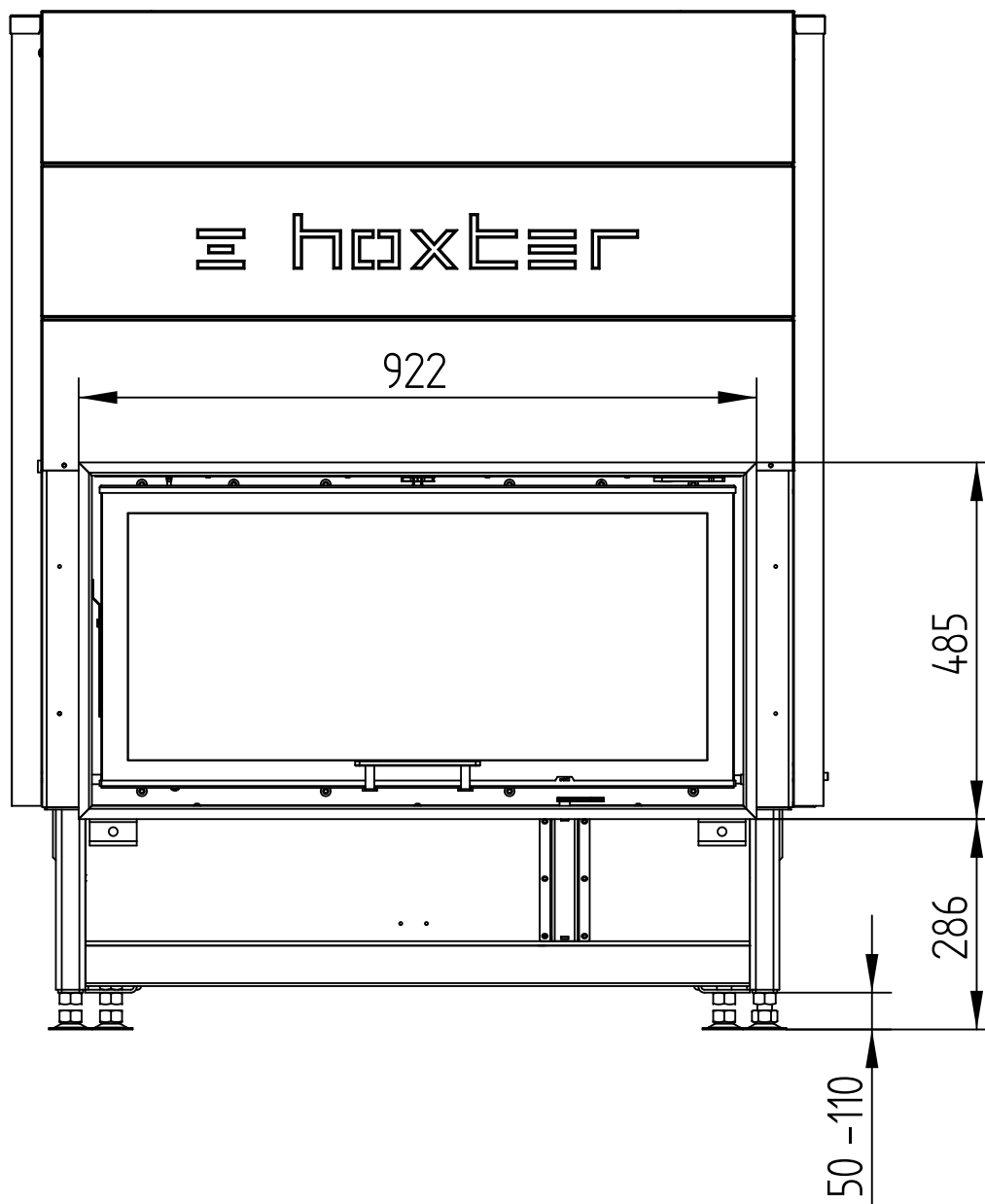


# HAKA 89/45h

Technical data  
Version 11/2014

COVER FRAME 4-SIDED 1 x 90°, 50 mm

M 1 : 10



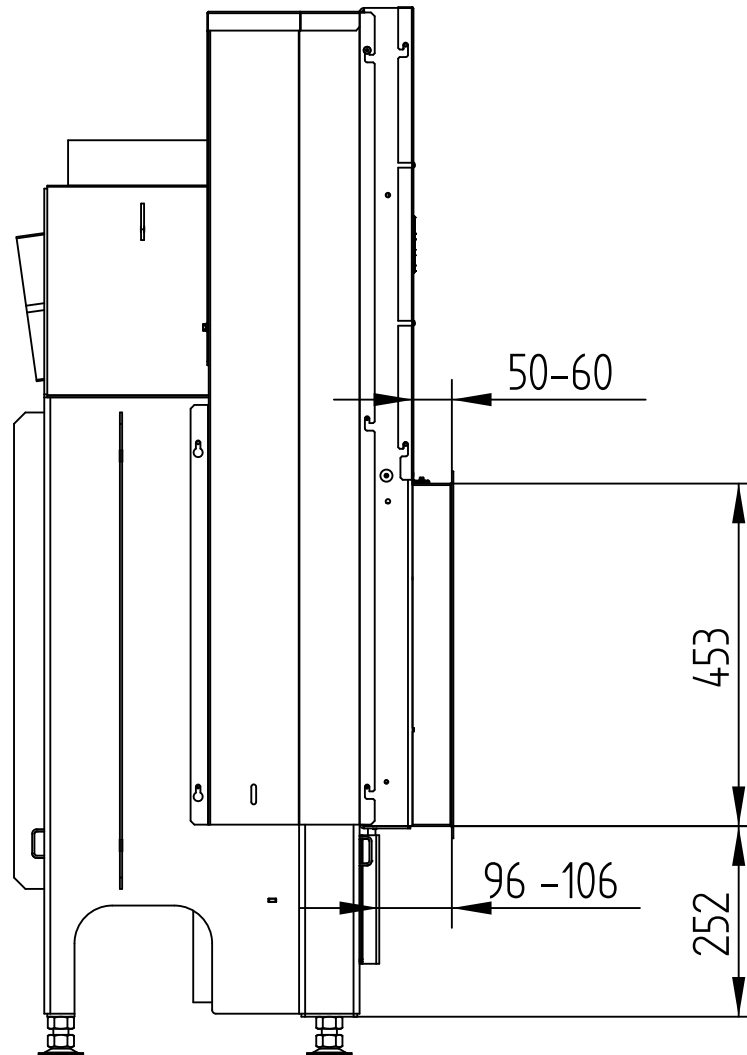


# HAKA 89/45h

Technical data  
Version 11/2014

COVER FRAME 4-SIDED 1 x 90°, 50 mm

M 1 : 10

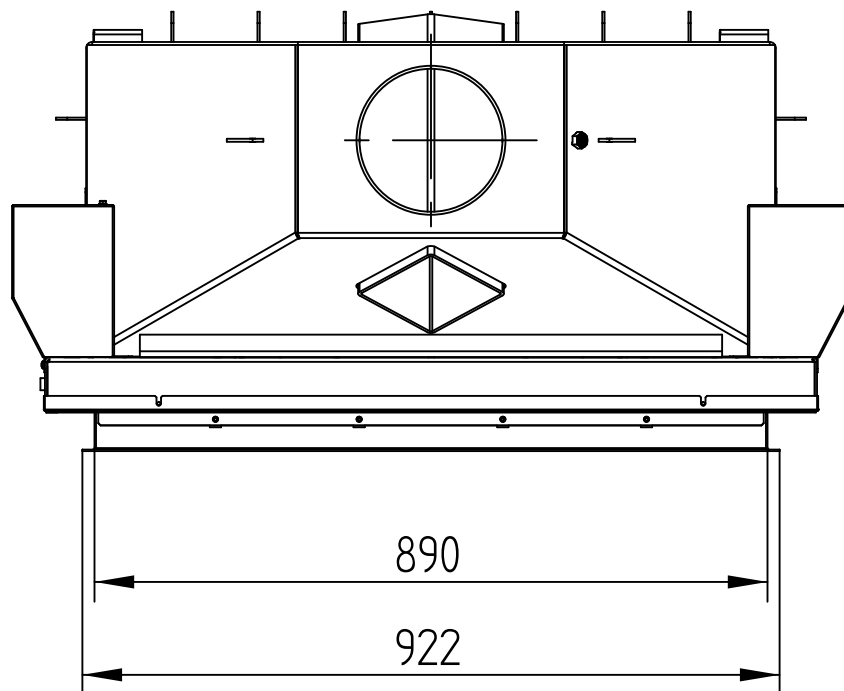


# HAKA 89/45h

Technical data  
Version 11/2014

COVER FRAME 4-SIDED 1 x 90°, 50 mm

M 1 : 10

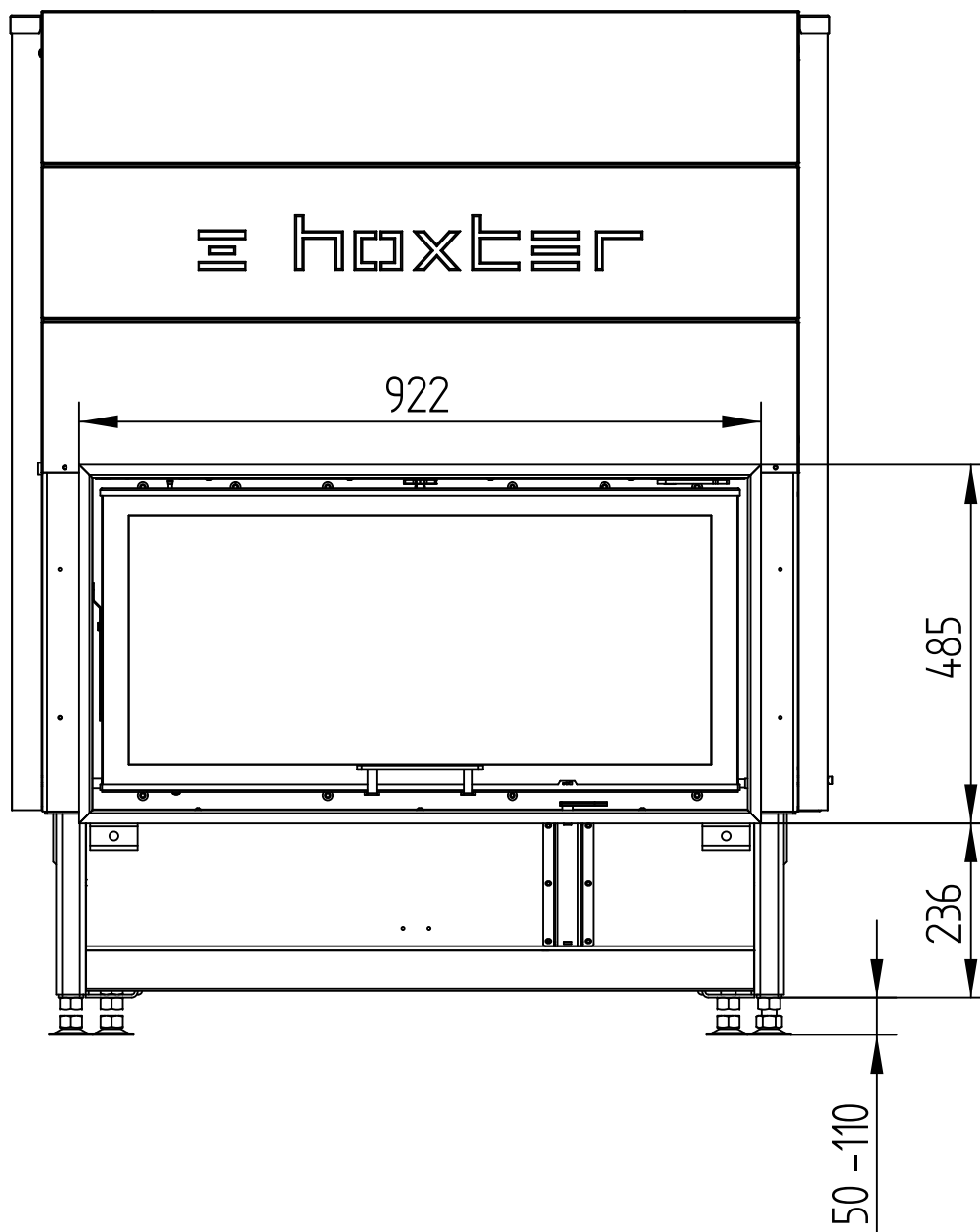


# HAKA 89/45h

Technical data  
Version 11/2014

COVER FRAME 4-SIDED 1 x 90°, 80 mm

M 1 : 10

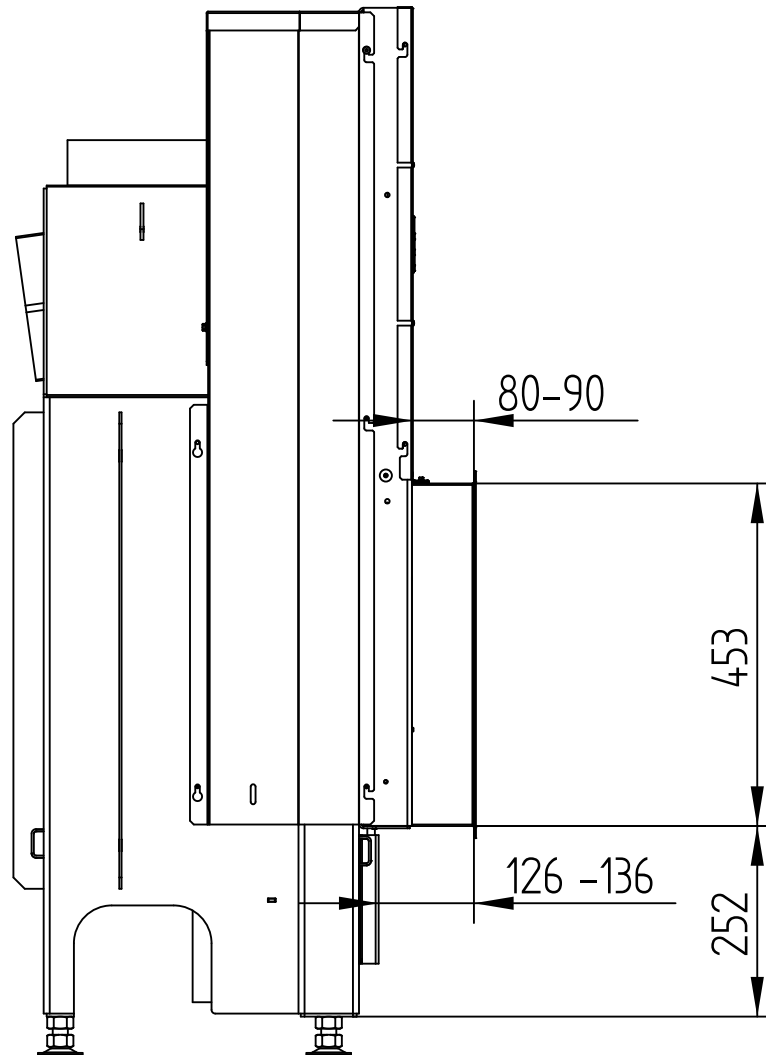


# HAKA 89/45h

Technical data  
Version 11/2014

COVER FRAME 4-SIDED 1 x 90°, 80 mm

M 1 : 10

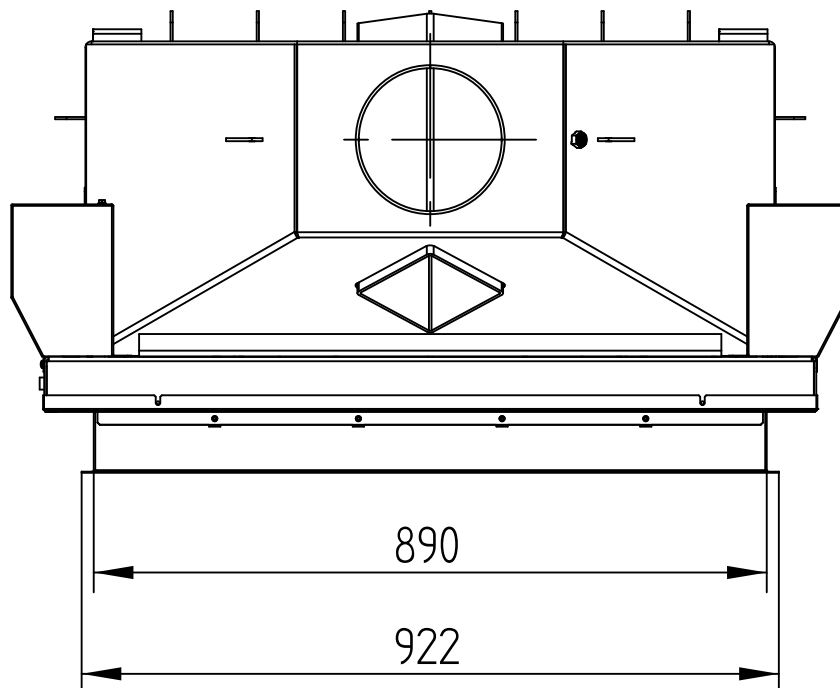


# HAKA 89/45h

Technical data  
Version 11/2014

COVER FRAME 4-SIDED 1 x 90°, 80 mm

M 1 : 10

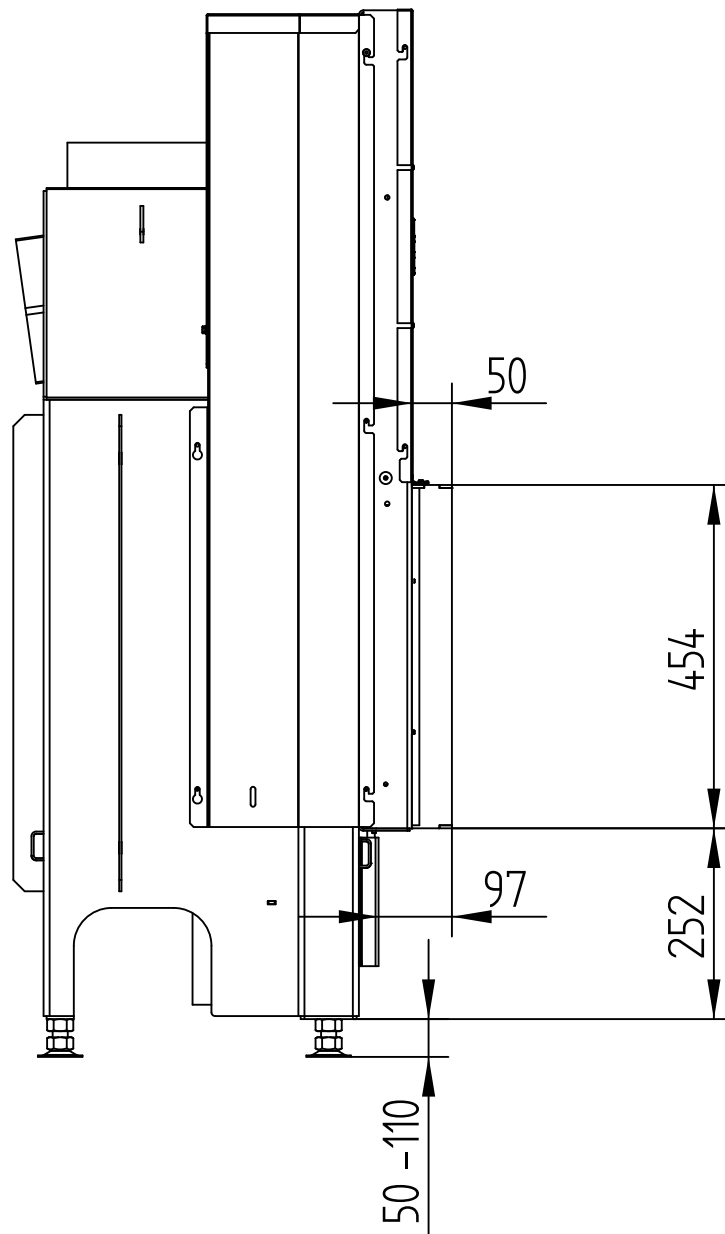


# HAKA 89/45h

BUILD-ON FRAME 4-SIDED, 50 mm

Technical data  
Version 11/2014

M 1 : 10

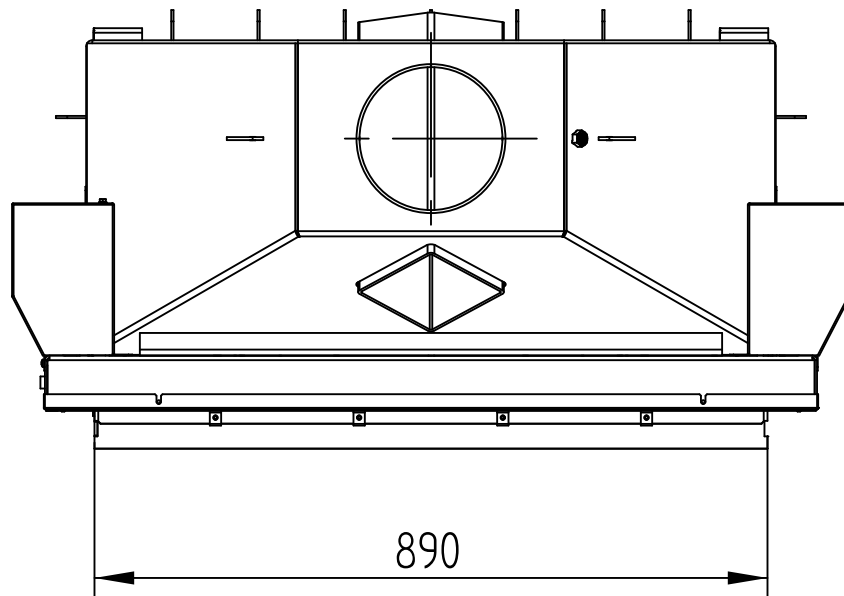


# HAKA 89/45h

BUILD-ON FRAME 4-SIDED, 50 mm

Technical data  
Version 11/2014

M 1 : 10

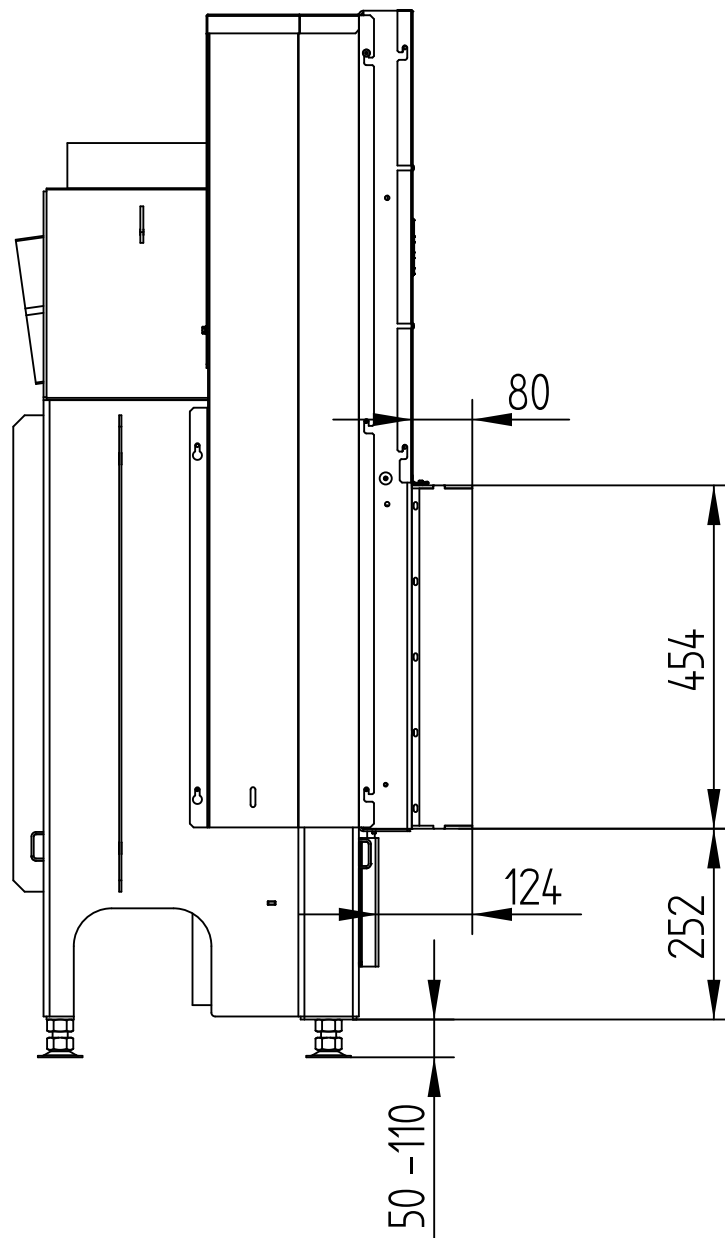


# HAKA 89/45h

BUILD-ON FRAME 4-SIDED, 80 mm

Technical data  
Version 11/2014

M 1 : 10





# HAKA 89/45h

BUILD-ON FRAME 4-SIDED, 80 mm

Technical data  
Version 11/2014

M 1 : 10

